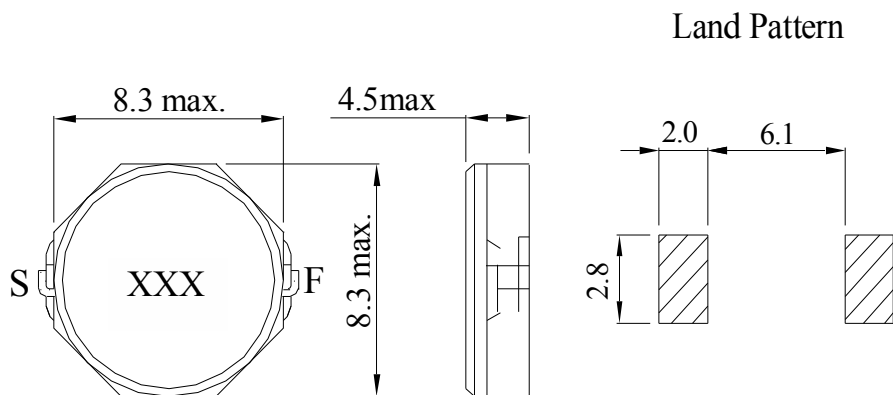


【GSRHT8D43-SERIES】

DIMENSIONS & RECOMMENDED PATTERN



Unit: mm

※ FEATURES

- Applications : DC to DC converter of portable equipment, camcorder, LCD television set, digital camera, P.D.A., notebook

SELECTION GUIDE FOR STANDARD COILS

| GENERIC Part Number | Inductance | Tolerance | DC Resistance | Inductance Decrease Current | Temperature Rise Current |
|---------------------|------------|------------|------------------|-----------------------------|--------------------------|
| | (μ H) | (%) | (Ω) Max | (A) Max | (A) Max |
| GSRHT8D43 - R68N | 0.68 | $\pm 35\%$ | 0.0095 | 9.00 | 6.90 |
| GSRHT8D43 - 1R2N | 1.2 | $\pm 35\%$ | 0.0122 | 8.00 | 6.20 |
| GSRHT8D43 - 2R0N | 2.0 | $\pm 30\%$ | 0.0140 | 7.00 | 5.50 |
| GSRHT8D43 - 3R9N | 3.9 | $\pm 30\%$ | 0.0190 | 5.90 | 4.50 |
| GSRHT8D43 - 4R7N | 4.7 | $\pm 30\%$ | 0.0220 | 5.60 | 4.10 |
| GSRHT8D43 - 6R8N | 6.8 | $\pm 30\%$ | 0.0250 | 4.40 | 3.90 |
| GSRHT8D43 - 100N | 10.0 | $\pm 30\%$ | 0.0360 | 4.00 | 3.20 |
| GSRHT8D43 - 150N | 15.0 | $\pm 30\%$ | 0.0530 | 2.90 | 2.30 |
| GSRHT8D43 - 220N | 22.0 | $\pm 30\%$ | 0.0750 | 2.60 | 1.80 |
| GSRHT8D43 - 330N | 33.0 | $\pm 30\%$ | 0.1250 | 2.20 | 1.40 |
| GSRHT8D43 - 470N | 47.0 | $\pm 30\%$ | 0.1500 | 1.80 | 1.30 |
| GSRHT8D43 - 680N | 68.0 | $\pm 30\%$ | 0.2400 | 1.50 | 1.00 |
| GSRHT8D43 - 101N | 100.0 | $\pm 30\%$ | 0.3600 | 1.30 | 0.80 |

※ GENERAL SPECIFICATION:

- Inductance drop =35% typ. at IDC.
- $\Delta T=40^{\circ}\text{C}$ rise at IDC.
- Operating Temperature : $-40^{\circ}\text{C} \sim +85^{\circ}\text{C}$
- Test Freq. : 100KHz / 1V.