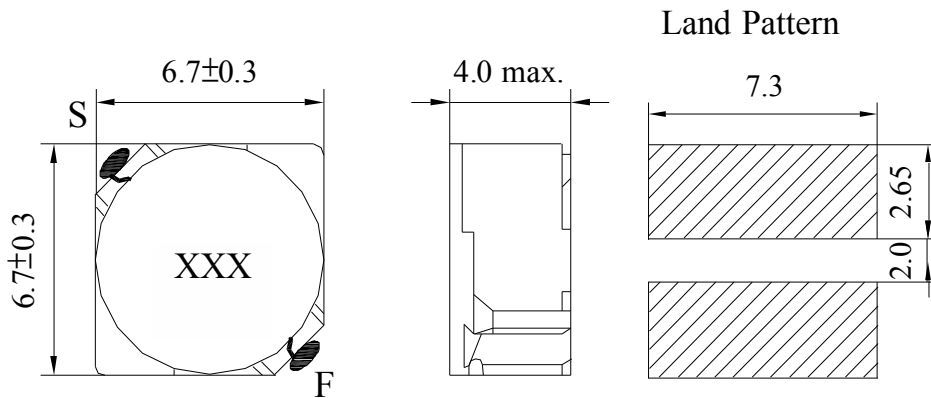


【GSRHT6D38-SERIES】

DIMENSIONS & RECOMMENDED PATTERN



Unit: mm

※ FEATURES

- Applications : DC to DC converter of portable equipment, camcorder, LCD television set, digital camera, P.D.A.,

SELECTION GUIDE FOR STANDARD COILS

GENERIC Part Number	Inductance	Tolerance	DC Resistance	Inductance Decrease Current
	(μ H)	(%)	(Ω) Max	(A) Max
GSRHT6D38 - 3R3N	3.3	$\pm 30\%$	0.020	3.50
GSRHT6D38 - 5R0N	5.0	$\pm 30\%$	0.024	2.90
GSRHT6D38 - 6R2N	6.2	$\pm 30\%$	0.027	2.50
GSRHT6D38 - 7R4N	7.4	$\pm 30\%$	0.031	2.30
GSRHT6D38 - 8R7N	8.7	$\pm 30\%$	0.034	2.20
GSRHT6D38 - 100N	10.0	$\pm 30\%$	0.038	2.00
GSRHT6D38 - 120N	12.0	$\pm 30\%$	0.053	1.70
GSRHT6D38 - 150N	15.0	$\pm 30\%$	0.057	1.60
GSRHT6D38 - 180N	18.0	$\pm 30\%$	0.092	1.50
GSRHT6D38 - 220N	22.0	$\pm 30\%$	0.096	1.30
GSRHT6D38 - 270N	27.0	$\pm 30\%$	0.109	1.20
GSRHT6D38 - 330N	33.0	$\pm 30\%$	0.124	1.10
GSRHT6D38 - 390N	39.0	$\pm 30\%$	0.138	1.00
GSRHT6D38 - 470N	47.0	$\pm 30\%$	0.155	0.95
GSRHT6D38 - 560N	56.0	$\pm 30\%$	0.202	0.85
GSRHT6D38 - 680N	68.0	$\pm 30\%$	0.234	0.75
GSRHT6D38 - 820N	82.0	$\pm 30\%$	0.324	0.70
GSRHT6D38 - 101N	100.0	$\pm 30\%$	0.358	0.65

※ GENERAL SPECIFICATION:

- Inductance drop =35% typ. at IDC.
- $\Delta T=30^{\circ}C$ rise at IDC.

c. Operating Temperature : $-40^{\circ}\text{C} \sim +85^{\circ}\text{C}$
d. Test Freq. : 10KHz / 0.1V.