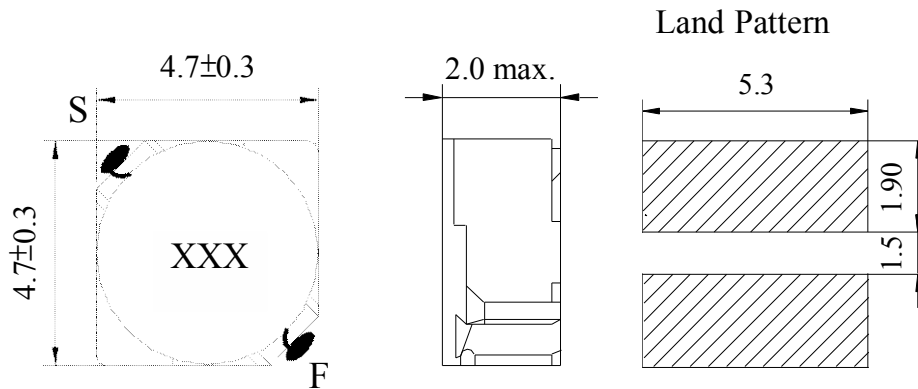


**【GSRHT4D18-SERIES】**

**DIMENSIONS & RECOMMENDED PATTERN**



**Unit: mm**

※ FEATURES

- Applications : DC to DC converter of portable equipment, camcorder, LCD television set, digital camera, P.D.A., notebook

**SELECTION GUIDE FOR STANDARD COILS**

| GENERIC Part Number | Inductance | Tolerance  | DC Resistance    | Inductance Decrease Current |
|---------------------|------------|------------|------------------|-----------------------------|
|                     | ( $\mu$ H) | (%)        | ( $\Omega$ ) Max | (A) Max                     |
| GSRHT4D18 - 1R0N    | 1.0        | $\pm 30\%$ | 0.045            | 1.72                        |
| GSRHT4D18 - 2R2N    | 2.2        | $\pm 30\%$ | 0.075            | 1.32                        |
| GSRHT4D18 - 2R7N    | 2.7        | $\pm 30\%$ | 0.105            | 1.28                        |
| GSRHT4D18 - 3R3N    | 3.3        | $\pm 30\%$ | 0.110            | 1.04                        |
| GSRHT4D18 - 3R9N    | 3.9        | $\pm 30\%$ | 0.155            | 0.88                        |
| GSRHT4D18 - 4R7N    | 4.7        | $\pm 30\%$ | 0.162            | 0.84                        |
| GSRHT4D18 - 5R6N    | 5.6        | $\pm 30\%$ | 0.170            | 0.80                        |
| GSRHT4D18 - 6R8N    | 6.8        | $\pm 30\%$ | 0.200            | 0.76                        |
| GSRHT4D18 - 8R2N    | 8.2        | $\pm 30\%$ | 0.245            | 0.68                        |
| GSRHT4D18 - 100N    | 10.0       | $\pm 30\%$ | 0.200            | 0.61                        |
| GSRHT4D18 - 120N    | 12.0       | $\pm 30\%$ | 0.210            | 0.56                        |
| GSRHT4D18 - 150N    | 15.0       | $\pm 30\%$ | 0.240            | 0.50                        |
| GSRHT4D18 - 180N    | 18.0       | $\pm 30\%$ | 0.338            | 0.48                        |
| GSRHT4D18 - 220N    | 22.0       | $\pm 30\%$ | 0.397            | 0.41                        |
| GSRHT4D18 - 270N    | 27.0       | $\pm 30\%$ | 0.441            | 0.35                        |
| GSRHT4D18 - 330N    | 33.0       | $\pm 30\%$ | 0.694            | 0.32                        |
| GSRHT4D18 - 390N    | 39.0       | $\pm 30\%$ | 0.709            | 0.30                        |
| GSRHT4D18 - 470N    | 47.0       | $\pm 30\%$ | 0.922            | 0.28                        |
| GSRHT4D18 - 560N    | 56.0       | $\pm 30\%$ | 1.080            | 0.26                        |

**【GSRHT4D18-SERIES】**

**SELECTION GUIDE FOR STANDARD COILS**

| GENERIC Part Number | Inductance | Tolerance  | DC Resistance    | Inductance Decrease Current |
|---------------------|------------|------------|------------------|-----------------------------|
|                     | ( $\mu$ H) | (%)        | ( $\Omega$ ) Max | (A) Max                     |
| GSRHT4D18 - 680N    | 68.0       | $\pm 30\%$ | 1.300            | 0.24                        |
| GSRHT4D18 - 820N    | 82.0       | $\pm 30\%$ | 1.560            | 0.22                        |
| GSRHT4D18 - 101N    | 100.0      | $\pm 30\%$ | 1.730            | 0.20                        |
| GSRHT4D18 - 121N    | 120.0      | $\pm 30\%$ | 2.390            | 0.18                        |
| GSRHT4D18 - 151N    | 150.0      | $\pm 30\%$ | 2.670            | 0.15                        |
| GSRHT4D18 - 181N    | 180.0      | $\pm 30\%$ | 4.000            | 0.14                        |

※ GENERAL SPECIFICATION:

- a. Inductance drop =35% typ. at IDC.
- b.  $\Delta T=40^{\circ}\text{C}$  rise at IDC.
- c. Operating Temperature :  $-40^{\circ}\text{C} \sim +85^{\circ}\text{C}$
- d. Test Freq. : 100KHz / 0.1V.