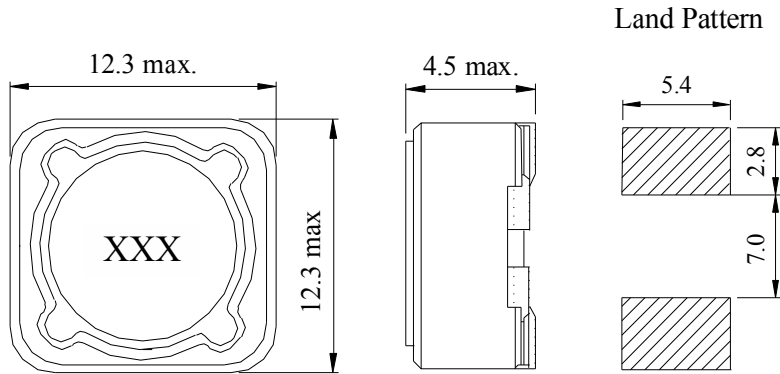


【GSCDRI1204-SERIES】

DIMENSIONS & RECOMMENDED PATTERN



Unit: mm

※ FEATURES

- Applications : DC to DC converters for VTR, OA equipment, LCD television set, notebook, portable communication equipments

SELECTION GUIDE FOR STANDARD COILS

| GENERIC Part Number | Inductance | Tolerance | DC Resistance | Inductance Decrease Current |
|---------------------|------------|------------|------------------|-----------------------------|
| | (μ H) | (%) | (Ω) Max | (A) Max |
| GSCDRI1204 - 3R9M | 3.9 | $\pm 20\%$ | 0.015 | 6.50 |
| GSCDRI1204 - 4R7M | 4.7 | $\pm 20\%$ | 0.018 | 5.70 |
| GSCDRI1204 - 6R8M | 6.8 | $\pm 20\%$ | 0.023 | 4.90 |
| GSCDRI1204 - 8R2M | 8.2 | $\pm 20\%$ | 0.026 | 4.60 |
| GSCDRI1204 - 100M | 10.0 | $\pm 20\%$ | 0.028 | 4.50 |
| GSCDRI1204 - 120M | 12.0 | $\pm 20\%$ | 0.038 | 4.00 |
| GSCDRI1204 - 150M | 15.0 | $\pm 20\%$ | 0.050 | 3.20 |
| GSCDRI1204 - 180M | 18.0 | $\pm 20\%$ | 0.057 | 3.10 |
| GSCDRI1204 - 220M | 22.0 | $\pm 20\%$ | 0.066 | 2.90 |
| GSCDRI1204 - 270M | 27.0 | $\pm 20\%$ | 0.080 | 2.80 |
| GSCDRI1204 - 330M | 33.0 | $\pm 20\%$ | 0.097 | 2.70 |
| GSCDRI1204 - 390M | 39.0 | $\pm 20\%$ | 0.132 | 2.10 |
| GSCDRI1204 - 470M | 47.0 | $\pm 20\%$ | 0.150 | 1.90 |
| GSCDRI1204 - 560M | 56.0 | $\pm 20\%$ | 0.190 | 1.80 |
| GSCDRI1204 - 680M | 68.0 | $\pm 20\%$ | 0.220 | 1.50 |
| GSCDRI1204 - 820M | 82.0 | $\pm 20\%$ | 0.260 | 1.30 |
| GSCDRI1204 - 101M | 100.0 | $\pm 20\%$ | 0.308 | 1.20 |
| GSCDRI1204 - 121M | 120.0 | $\pm 20\%$ | 0.380 | 1.10 |

【GSCDRI1204-SERIES】

SELECTION GUIDE FOR STANDARD COILS

| GENERIC Part Number | Inductance | Tolerance | DC Resistance | Inductance Decrease Current |
|---------------------|------------|------------|------------------|-----------------------------|
| | (μ H) | (%) | (Ω) Max | (A) Max |
| GSCDRI1204 - 151M | 150.0 | $\pm 20\%$ | 0.530 | 0.95 |
| GSCDRI1204 - 181M | 180.0 | $\pm 20\%$ | 0.620 | 0.85 |
| GSCDRI1204 - 221M | 220.0 | $\pm 20\%$ | 0.700 | 0.80 |
| GSCDRI1204 - 271M | 270.0 | $\pm 20\%$ | 0.870 | 0.60 |
| GSCDRI1204 - 331M | 330.0 | $\pm 20\%$ | 0.990 | 0.50 |

※ GENERAL SPECIFICATION:

- a. Inductance drop =25% typ. at IDC.
- b. $\Delta T=40^{\circ}\text{C}$ rise at IDC.
- c. Operating Temperature : $-40^{\circ}\text{C} \sim +85^{\circ}\text{C}$
- d. Test Freq. : 100KHz / 0.1V.