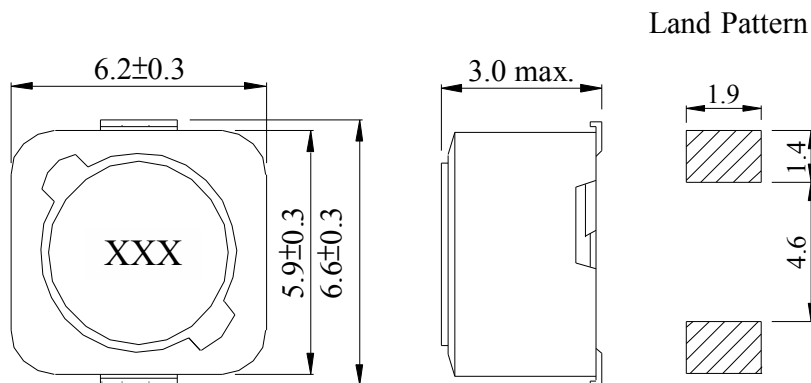


**【GSCDRI0602-SERIES】**

**DIMENSIONS & RECOMMENDED PATTERN**



**Unit: mm**

※ FEATURES

- Applications : DC to DC converters for VTR, OA equipment, LCD television set, notebook, portable communication equipments

**SELECTION GUIDE FOR STANDARD COILS**

GENERIC Part Number	Inductance	Tolerance	DC Resistance	Inductance Decrease Current
	(μH)	(%)	(Ω) Max	(A) Max
GSCDRI0602 - 2R9N	2.9	± 30%	0.068	1.94
GSCDRI0602 - 3R3N	3.3	± 30%	0.075	1.80
GSCDRI0602 - 4R0N	4.0	± 30%	0.080	1.63
GSCDRI0602 - 4R7N	4.7	± 30%	0.090	1.55
GSCDRI0602 - 5R5N	5.5	± 30%	0.096	1.40
GSCDRI0602 - 6R3N	6.3	± 30%	0.100	1.30
GSCDRI0602 - 7R1N	7.1	± 30%	0.110	1.22
GSCDRI0602 - 8R0N	8.0	± 30%	0.120	1.15
GSCDRI0602 - 100M	10.0	± 20%	0.150	1.10
GSCDRI0602 - 120M	12.0	± 20%	0.200	1.00
GSCDRI0602 - 150M	15.0	± 20%	0.230	0.90
GSCDRI0602 - 180M	18.0	± 20%	0.270	0.80
GSCDRI0602 - 220M	22.0	± 20%	0.340	0.74
GSCDRI0602 - 270M	27.0	± 20%	0.380	0.66
GSCDRI0602 - 330M	33.0	± 20%	0.450	0.59
GSCDRI0602 - 390M	39.0	± 20%	0.490	0.54
GSCDRI0602 - 470M	47.0	± 20%	0.690	0.50
GSCDRI0602 - 560M	56.0	± 20%	0.780	0.46

**【GSCDRI0602-SERIES】**

**SELECTION GUIDE FOR STANDARD COILS**

GENERIC Part Number	Inductance	Tolerance	DC Resistance	Inductance Decrease Current
	( $\mu$ H)	(%)	( $\Omega$ ) Max	(A) Max
GSCDRI0602 - 680M	68.0	$\pm 20\%$	1.070	0.42
GSCDRI0602 - 820M	82.0	$\pm 20\%$	1.210	0.38
GSCDRI0602 - 101M	100.0	$\pm 20\%$	1.390	0.34
GSCDRI0602 - 121M	120.0	$\pm 20\%$	1.900	0.31
GSCDRI0602 - 151M	150.0	$\pm 20\%$	2.180	0.28
GSCDRI0602 - 181M	180.0	$\pm 20\%$	2.770	0.26
GSCDRI0602 - 221M	220.0	$\pm 20\%$	3.120	0.23
GSCDRI0602 - 271M	270.0	$\pm 20\%$	4.380	0.22
GSCDRI0602 - 331M	330.0	$\pm 20\%$	4.940	0.19

※ GENERAL SPECIFICATION:

- a. Inductance drop =25% typ. at IDC.
- b.  $\Delta T=40^{\circ}\text{C}$  rise at IDC.
- c. Operating Temperature :  $-40^{\circ}\text{C} \sim +85^{\circ}\text{C}$
- d. Test Freq. : 1KHz / 0.25V.