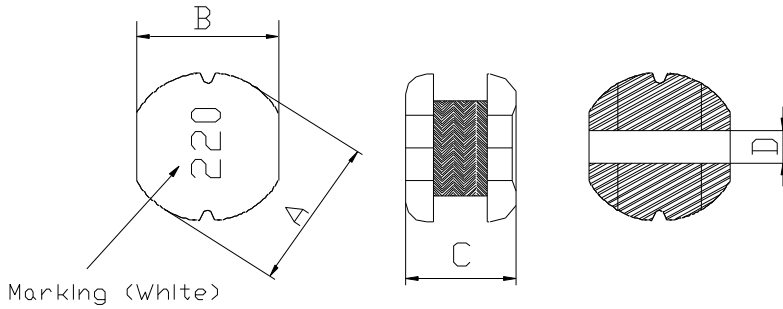


## DIMENSIONS & RECOMMENDED PATTERN



A: $7.8 \pm 0.3$	mm
B: $7.2 \pm 0.3$	mm
C: 4.0 Max.	mm
D: 2.6 Typ.	mm

### ※FEATURE

Applications: Notebook PC, LCD TV, MP3-player, G.P.S, PDA

## SELECTION GUIDE FOR STANDARD COILS:

MAGLAYERS PT/NO.	Inductance L( $\mu$ H)	Percent Tolerance	Test Frequency	Resistance RDC( $\Omega$ )Max.	Rated DC Current IDC(A)	Marking
GSCD-73-1R0□	1.0	M,N	100kHz/0.25V	10.0m	4.60	1R0
GSCD-73-3R3□	3.3	M,N	100kHz/0.25V	20.0m	4.00	3R3
GSCD-73-4R7□	4.7	M,N	100kHz/0.25V	23.4m	3.70	4R7
GSCD-73-6R8□	6.8	M,N	100kHz/0.25V	36.0m	3.00	6R8
GSCD-73-100 □	10	M,N	100kHz/0.25V	80.3m	1.44	100
GSCD-73-120 □	12	M,N	100kHz/0.25V	89.7m	1.39	120
GSCD-73-150 □	15	M,N	100kHz/0.25V	0.104	1.24	150
GSCD-73-180 □	18	M,N	100kHz/0.25V	0.111	1.12	180
GSCD-73-220 □	22	M,N	100kHz/0.25V	0.129	1.07	220
GSCD-73-270 □	27	M,N	100kHz/0.25V	0.153	0.94	270
GSCD-73-330 □	33	M,N	100kHz/0.25V	0.170	0.85	330
GSCD-73-390 □	39	M,N	100kHz/0.25V	0.217	0.74	390
GSCD-73-470 □	47	M,N	100kHz/0.25V	0.252	0.68	470
GSCD-73-560 □	56	K,M	100kHz/0.25V	0.282	0.64	560
GSCD-73-680 □	68	K,M	100kHz/0.25V	0.332	0.59	680
GSCD-73-820 □	82	K,M	100kHz/0.25V	0.406	0.54	820
GSCD-73-101 □	100	K,M	100kHz/0.25V	0.481	0.51	101
GSCD-73-121□	120	K,M	100kHz/0.25V	0.536	0.49	121
GSCD-73-151□	150	K,M	100kHz/0.25V	0.755	0.40	151
GSCD-73-181□	180	K,M	100kHz/0.25V	1.022	0.36	181
GSCD-73-221□	220	K,M	100kHz/0.25V	1.200	0.31	221
GSCD-73-271□	270	K,M	100kHz/0.25V	1.306	0.29	271
GSCD-73-331□	330	K,M	100kHz/0.25V	1.495	0.28	331
GSCD-73-391□	390	K,M	100kHz/0.25V	2.70	0.27	391
GSCD-73-471□	470	K,M	100kHz/0.25V	3.00	0.25	471

※GENERAL SPECIFICATION:

※□Specify the inductance tolerance, K( $\pm 10\%$ ),M( $\pm 20\%$ ),N( $\pm 30\%$ )

※IDC : Based on inductance change ( $\Delta L/L_0$  : drop 10% Max.) @ ambient temperature 25°C  
and Based on temperature rise ( $\Delta T$  : 40°C TYP.)