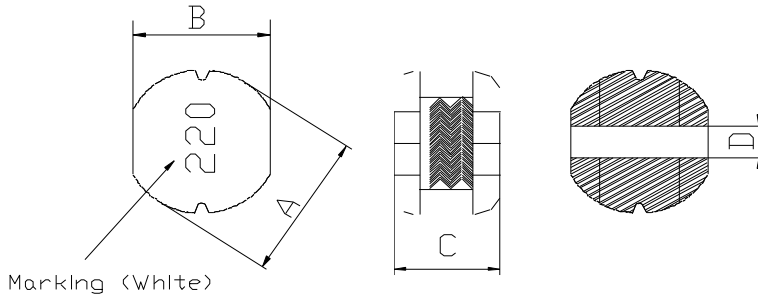


DIMENSIONS & RECOMMENDED PATTERN



A:	3.3 ± 0.3	mm
B:	3.0 ± 0.3	mm
C:	2.1 ± 0.3	mm
D:	1.0 Typ.	mm

※FEATURE

Applications: Notebook PC, LCD TV, MP3-player, G.P.S, PDA

SELECTION GUIDE FOR STANDARD COILS:

MAGLAYERS PT/NO.	Inductance L(μH)	Percent Tolerance	Test Frequency	Resistance RDC(Ω)Max.	Rated DC Current IDC(A)	Marking
GSCD-32-R47 <input type="checkbox"/>	0.47	N	100kHz/0.25V	17.7m	3.00	R47
GSCD-32-1R0 <input type="checkbox"/>	1.0	M,N	100kHz/0.25V	70m	2.08	1R0
GSCD-32-1R4 <input type="checkbox"/>	1.4	M,N	100kHz/0.25V	90m	1.86	1R4
GSCD-32-1R5 <input type="checkbox"/>	1.5	M,N	100kHz/0.25V	90m	1.86	1R5
GSCD-32-1R8 <input type="checkbox"/>	1.8	M,N	100kHz/0.25V	0.11	1.80	1R8
GSCD-32-2R2 <input type="checkbox"/>	2.2	K,M,N	100kHz/0.25V	0.13	1.39	2R2
GSCD-32-2R7 <input type="checkbox"/>	2.7	M,N	100kHz/0.25V	0.14	1.32	2R7
GSCD-32-3R3 <input type="checkbox"/>	3.3	M,N	100kHz/0.25V	0.17	1.25	3R3
GSCD-32-3R9 <input type="checkbox"/>	3.9	M,N	100kHz/0.25V	0.19	1.20	3R9
GSCD-32-4R7 <input type="checkbox"/>	4.7	M,N	100kHz/0.25V	0.21	1.03	4R7
GSCD-32-5R6 <input type="checkbox"/>	5.6	M,N	100kHz/0.25V	0.22	0.91	5R6
GSCD-32-6R8 <input type="checkbox"/>	6.8	M,N	100kHz/0.25V	0.25	0.85	6R8
GSCD-32-8R2 <input type="checkbox"/>	8.2	M,N	100kHz/0.25V	0.28	0.82	8R2
GSCD-32-100 <input type="checkbox"/>	10	M	100kHz/0.25V	0.32	0.74	100
GSCD-32-120 <input type="checkbox"/>	12	M	100kHz/0.25V	0.35	0.64	120
GSCD-32-150 <input type="checkbox"/>	15	M	100kHz/0.25V	0.40	0.60	150
GSCD-32-180 <input type="checkbox"/>	18	M	100kHz/0.25V	0.48	0.54	180
GSCD-32-220 <input type="checkbox"/>	22	M	100kHz/0.25V	0.58	0.50	220
GSCD-32-270 <input type="checkbox"/>	27	M	100kHz/0.25V	0.65	0.43	270
GSCD-32-330 <input type="checkbox"/>	33	M	100kHz/0.25V	0.80	0.37	330
GSCD-32-390 <input type="checkbox"/>	39	M	100kHz/0.25V	0.90	0.36	390
GSCD-32-470 <input type="checkbox"/>	47	M	100kHz/0.25V	1.19	0.33	470
GSCD-32-560 <input type="checkbox"/>	56	M	100kHz/0.25V	1.27	0.30	560
GSCD-32-680 <input type="checkbox"/>	68	M	100kHz/0.25V	1.73	0.29	680
GSCD-32-820 <input type="checkbox"/>	82	M	100kHz/0.25V	1.99	0.25	820
GSCD-32-101 <input type="checkbox"/>	100	K,M	100kHz/0.25V	2.52	0.20	101
GSCD-32-121 <input type="checkbox"/>	120	K,M	100kHz/0.25V	2.90	0.19	121
GSCD-32-151 <input type="checkbox"/>	150	K,M	100kHz/0.25V	3.36	0.17	151
GSCD-32-181 <input type="checkbox"/>	180	K,M	100kHz/0.25V	4.03	0.17	181
GSCD-32-221 <input type="checkbox"/>	220	K,M	100kHz/0.25V	5.64	0.14	221
GSCD-32-331 <input type="checkbox"/>	330	K,M	100kHz/0.25V	9.24	0.12	331
GSCD-32-391 <input type="checkbox"/>	390	K,M	100kHz/0.25V	10.14	0.09	391
GSCD-32-471 <input type="checkbox"/>	470	K,M	100kHz/0.25V	11.48	0.08	471
GSCD-32-561 <input type="checkbox"/>	560	K,M	100kHz/0.25V	19.49	0.08	561
GSCD-32-681 <input type="checkbox"/>	680	K,M	100kHz/0.25V	22.00	0.07	681
GSCD-32-821 <input type="checkbox"/>	820	K,M	100kHz/0.25V	23.98	0.06	821
GSCD-32-102 <input type="checkbox"/>	1000	K,M	100kHz/0.25V	28.80	0.05	102

※GENERAL SPECIFICATION:

※ specify the inductance tolerance,K($\pm 10\%$),M($\pm 20\%$),N($\pm 30\%$)

※ IDC : Based on inductance change ($\Delta L/L_0$: drop 10% Max.) @ ambient temperature 25°C and
Based on temperature rise (ΔT : 40°C TYP.)