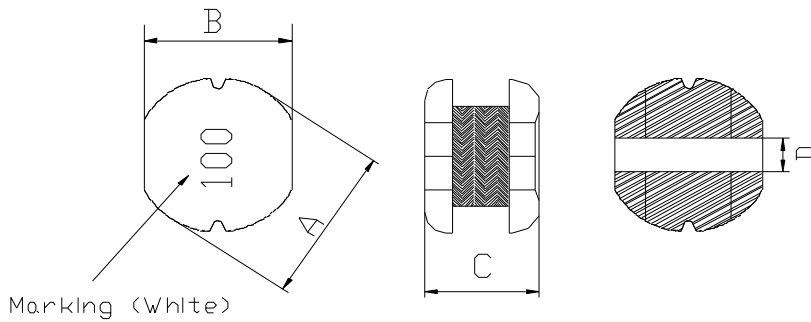


DIMENSIONS & RECOMMENDED PATTERN



- A : 10.0± 0.3 mm
- B : 9.0± 0.3 mm
- C : 8.50Max.mm
- D : 3.20Typ.mm

Marking (White)

※FEATURE

Applications: Notebook PC, LCD TV, MP3-player, G.P.S, PDA

SELECTION GUIDE FOR STANDARD COILS:

MAGLAYERS PT/NO.	Inductance L(μH)	Percent Tolerance	Test Frequency	Resistance RDC(Ω) Max.	Rated DC Current IDC(A)	Marking
GSCD-108-6R8□	6.8	M,N	100kHz/0.25V	33.7m	4.30	6R8
GSCD-108-100□	10	M,N	100kHz/0.25V	36m	4.05	100
GSCD-108-120□	12	M,N	100kHz/0.25V	38m	3.60	120
GSCD-108-150□	15	M,N	100kHz/0.25V	40m	3.34	150
GSCD-108-180□	18	M,N	100kHz/0.25V	50m	3.05	180
GSCD-108-220□	22	M,N	100kHz/0.25V	60m	2.80	220
GSCD-108-270□	27	M,N	100kHz/0.25V	70m	2.50	270
GSCD-108-330□	33	M,N	100kHz/0.25V	80m	2.40	330
GSCD-108-390□	39	M,N	100kHz/0.25V	90m	2.22	390
GSCD-108-470□	47	M,N	100kHz/0.25V	0.11	2.00	470
GSCD-108-560□	56	M,N	100kHz/0.25V	0.12	1.90	560
GSCD-108-680□	68	M,N	100kHz/0.25V	0.15	1.80	680
GSCD-108-820□	82	M,N	100kHz/0.25V	0.19	1.60	820
GSCD-108-101□	100	K,M	100kHz/0.25V	0.23	1.50	101
GSCD-108-121□	120	K,M	100kHz/0.25V	0.32	1.40	121
GSCD-108-151□	150	K,M	100kHz/0.25V	0.37	1.30	151
GSCD-108-181□	180	K,M	100kHz/0.25V	0.42	1.20	181
GSCD-108-221□	220	K,M	100kHz/0.25V	0.44	1.00	221
GSCD-108-271□	270	K,M	100kHz/0.25V	0.55	0.95	271
GSCD-108-331□	330	K,M	100kHz/0.25V	0.60	0.90	331
GSCD-108-391□	390	K,M	100kHz/0.25V	0.67	0.80	391
GSCD-108-471□	470	K,M	100kHz/0.25V	0.88	0.70	471
GSCD-108-561□	560	K,M	100kHz/0.25V	1.04	0.65	561
GSCD-108-681□	680	K,M	100kHz/0.25V	1.18	0.60	681
GSCD-108-821□	820	K,M	100kHz/0.25V	1.38	0.50	821
GSCD-108-102□	1000	K,M	100kHz/0.25V	1.74	0.48	102

※GENERAL SPECIFICATION:

※□specify the inductance tolerance, K($\pm 10\%$), M($\pm 20\%$), N($\pm 30\%$)

※IDC : Based on inductance change ($\Delta L/L_0$: drop 10% Max.) @ ambient temp. 25°C
and temperature rise (ΔT : 40°C TYP.)