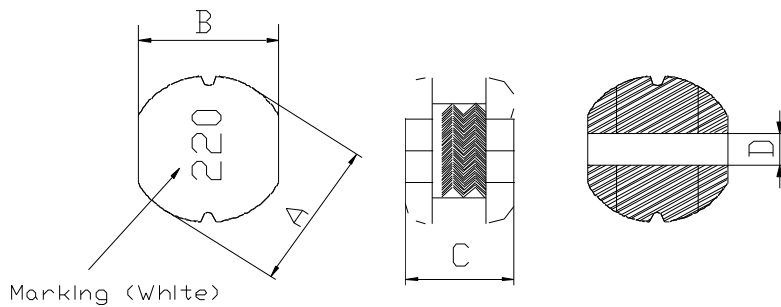


## DIMENSIONS & RECOMMENDED PATTERN



A: $10 \pm 0.3$	mm
B: $9.0 \pm 0.3$	mm
C: $5.4 \pm 0.4$	mm
D: 3.2 Typ.	mm

### ※FEATURE

Applications: Notebook PC, LCD TV, MP3-player, G.P.S, PDA

## SELECTION GUIDE FOR STANDARD COILS:

MAGLAYERS PT/NO.	Inductance L( $\mu$ H)	Percent Tolerance	Test Frequency	Resistance RDC( $\Omega$ )Max.	Rated DC Current IDC(A)	Marking
GSCD-105-3R3□	3.3	M	100kHz/0.25V	15m	5.00	3R3
GSCD-105-6R8□	6.8	M	100kHz/0.25V	45m	3.00	6R8
GSCD-105-100□	10	M	100kHz/0.25V	60m	2.60	100
GSCD-105-120□	12	M	100kHz/0.25V	70m	2.45	120
GSCD-105-150□	15	M	100kHz/0.25V	80m	2.27	150
GSCD-105-180□	18	M	100kHz/0.25V	90m	2.15	180
GSCD-105-220□	22	M	100kHz/0.25V	0.10	1.95	220
GSCD-105-270□	27	M	100kHz/0.25V	0.11	1.76	270
GSCD-105-330□	33	M	100kHz/0.25V	0.12	1.50	330
GSCD-105-390□	39	M	100kHz/0.25V	0.14	1.37	390
GSCD-105-470□	47	K,M	100kHz/0.25V	0.17	1.28	470
GSCD-105-560□	56	K,M	100kHz/0.25V	0.19	1.17	560
GSCD-105-680□	68	K,M	100kHz/0.25V	0.22	1.11	680
GSCD-105-820□	82	K,M	100kHz/0.25V	0.25	1.00	820
GSCD-105-101□	100	K,M	100kHz/0.25V	0.35	0.97	101
GSCD-105-121□	120	K,M	100kHz/0.25V	0.40	0.89	121
GSCD-105-151□	150	K,M	100kHz/0.25V	0.47	0.78	151
GSCD-105-181□	180	K,M	100kHz/0.25V	0.63	0.72	181
GSCD-105-221□	220	K,M	100kHz/0.25V	0.73	0.66	221
GSCD-105-271□	270	K,M	100kHz/0.25V	0.97	0.57	271
GSCD-105-331□	330	K,M	100kHz/0.25V	1.15	0.52	331
GSCD-105-391□	390	K,M	100kHz/0.25V	1.30	0.48	391
GSCD-105-471□	470	K,M	100kHz/0.25V	1.48	0.42	471
GSCD-105-561□	560	K,M	100kHz/0.25V	1.90	0.33	561
GSCD-105-681□	680	K,M	100kHz/0.25V	2.25	0.28	681
GSCD-105-821□	820	K,M	100kHz/0.25V	2.55	0.24	821
GSCD-105-102□	1000	K,M	100kHz/0.25V	2.80	0.22	1000

※GENERAL SPECIFICATION:

※ □ specify the inductance tolerance, K( $\pm 10\%$ ), M( $\pm 20\%$ )

※ IDC : Based on inductance change ( $\Delta L/L_0$  : drop 10% Max.) @ambient temperature 25°C and  
Based on temperature rise ( $\Delta T$  : 40°C TYP.)