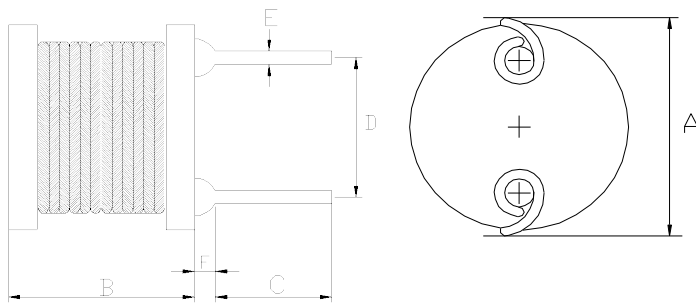


## DIMENSIONS & RECOMMENDED PATTERN



A: 12.0 Max.	mm
B: 12.5 Max.	mm
C: 15±2.0	mm
D: 5.0±0.5	mm
E: φ0.8±0.1	mm
F: 2.5 Max.	mm

### ※FEATURE

Applications:DC-DC converters,LCD Set,OA equipment,notebook, PDA

## SELECTION GUIDE FOR STANDARD COILS:

MAGLAYERS PT/NO.	Inductance L(μH)	Percent Tolerance	Test Frequency	Resistance RDC(Ω)Max.	Rated DC Current
					IDC1(A)
GDR-1012-4R7□	4.7	M	100kHz/0.25V	15.0m	9.0
GDR-1012-100□	10	K,M	100kHz/0.25V	21.0m	7.0
GDR-1012-150□	15	K,M	100kHz/0.25V	31.2m	5.0
GDR-1012-220□	22	K,M	100kHz/0.25V	44.1m	4.5
GDR-1012-330□	33	K,M	100kHz/0.25V	66.5m	3.5
GDR-1012-101□	100	J,K	100KHz/0.25V	0.15	2.2
GDR-1012-151□	150	K,M	100KHz/0.25V	0.21	1.9
GDR-1012-471□	470	K,M	100KHz/0.25V	0.70	1.0
GDR-1012-681□	680	K,M	100KHz/0.25V	0.96	0.8
GDR-1012-821□	820	K,M	100KHz/0.25V	1.20	0.75
GDR-1012-102□	1000	J,K,M	100KHz/0.25V	1.50	0.65

### ※GENERAL SPECIFICATION:

※□ specify the inductance tolerance,J(±5%),K(±10%),M(±20%)

※IDC1 : Based on inductance change (ΔL/Lo : drop 10% Max.)

@ambient temperature 25°C

IDC2 : Based on temperature rise (ΔT : 40°C TYP.) Rated DC

Current : The less value which is IDC1 or IDC2.